

The following information, amendments and revisions shall constitute Addendum No.4 and shall form an integral part of the construction documents and where applicable, shall supersede requirements of other construction documents.

General Contractors shall bring this addendum to the attention of all sub trades and suppliers from whom they may be receiving quotations.

**PART 1 SPECIFICATIONS**

1.1 Not Used.

**PART 2 DRAWINGS**

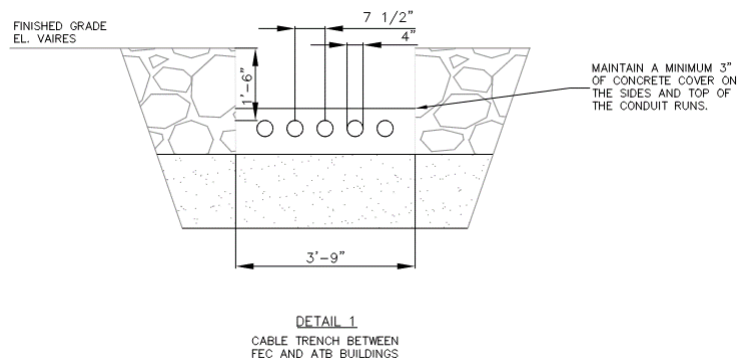
2.1 Not Used.

**PART 3 GENERAL**

3.1 Clarification: The Finished Floor Elevation of the Air Terminal Building is 187.30m. The footings shall bear on bedrock to a depth of 181.84m as per Structural Drawing S00C Detail 1 - Typical Footing Detail.

3.2 Refer to Addendum No 3: Contractor Queries; Q76: Refer to Response: Add option: "Or R2 – SIPS Panel to be installed with 1/2" exterior grade plywood on top. Use Single Skin System (Refer attached Marquis Panels System on Plywood Details Manual)"

3.3 Refer to Addendum No 3: Contractor Queries; Q65: Refer to Response: Revise to read: "Refer to detail on Electrical Drawing 2022002601-004



*The PVC conduits are to be buried, however since they can not be buried deep enough due to the lack of over burden and near surface bed rock, the conduits are encased in concrete for protection.*

*With respect to the pull box question...pull boxes are not required by design, however if the contractor requires pull boxes for the installation, then pre-cast concrete pull boxes are to be used. ANSI 77 Tier 5 – Sidewalk applications with a safety factor for occasional non-deliberate vehicular traffic. Appropriately sized."*

**End of Addendum**